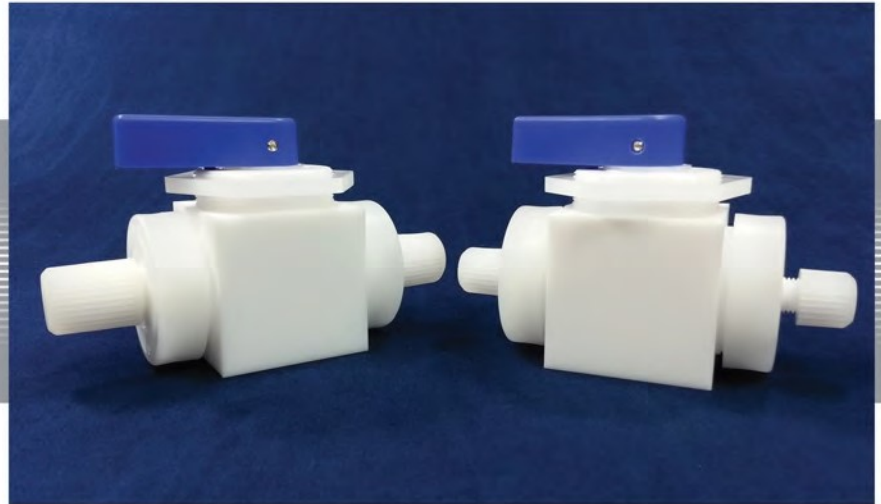


Our **iPolymer Ball Valve** features an all PTFE wetted surface design. The design is ideally suited for harsh chemical and corrosive media applications.

Polytetrafluoroethylene (PTFE), commonly known by its popular E.I. DuPont trade name TEFLON®, is also well suited to clean room and deionized water applications.

The body, stem, ball and ports are constructed from PTFE. For standard applications, external non wetted components are constructed from Natural PVDF and Polypropylene.



Contact iPolymer for special applications, including high ambient temperatures and corrosive atmospheres.

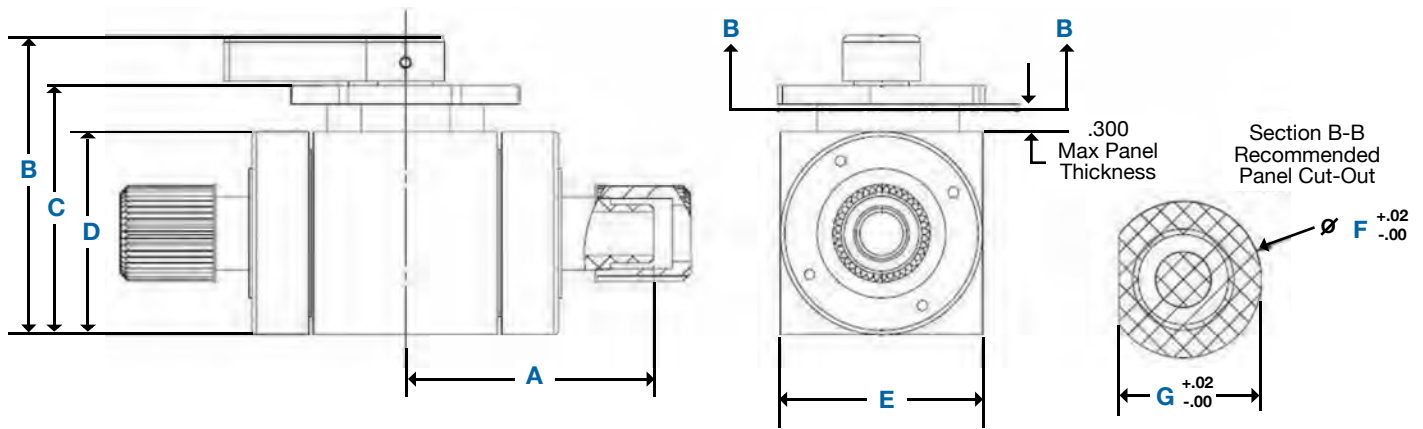
Metric sizes are available upon request.

Features:

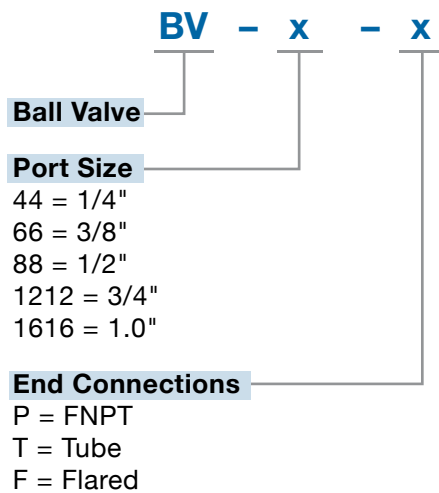
- PTFE construction for media wetted surfaces.
- Reliable low torque manual operation.
- Quarter Turn with Positive Stops.
- Design accommodates partial open position for metered flow.
- All models can be panel mounted.
- All models can be used in high ambient temperature environments.

Specification:

| | |
|-------------------------------------|------------------------------------|
| Standard Port Configurations | 1/4" • 3/8" • 1/2" • 3/4" • 1" |
| Connection Types | Female NPT • Tube • Flared |
| Media Operating Pressure | 120 psi max • 25 in Hg vacuum |
| Media Operating Temperature | 212°F (100°C) max • 32°F (0°C) min |
| Ambient Temperature | 140°F (60°C) max • 32°F (0°C) min |



PTFE Ball Valves: ORDERING FORMAT



| Product Configuration | A | B | C | D | E | F | G |
|-----------------------|------|------|------|------|------|------|------|
| 1/4" FNPT | 1.62 | 3.18 | 2.50 | 2.00 | 2.00 | 1.82 | 1.69 |
| 1/4" Tube | 2.12 | 3.18 | 2.50 | 2.00 | 2.00 | 1.82 | 1.69 |
| 1/4" Flare | 2.62 | 3.18 | 2.50 | 2.00 | 2.00 | 1.82 | 1.69 |
| 3/8" FNPT | 1.62 | 3.18 | 2.50 | 2.00 | 2.00 | 1.82 | 1.69 |
| 3/8" Tube | 2.12 | 3.18 | 2.50 | 2.00 | 2.00 | 1.82 | 1.69 |
| 3/8" Flare | 2.62 | 3.18 | 2.50 | 2.00 | 2.00 | 1.82 | 1.69 |
| 1/2" FNPT | 1.62 | 3.18 | 2.50 | 2.00 | 2.00 | 1.82 | 1.69 |
| 1/2" Tube | 2.18 | 3.18 | 2.50 | 2.00 | 2.00 | 1.82 | 1.69 |
| 1/2" Flare | 2.72 | 3.18 | 2.50 | 2.00 | 2.00 | 1.82 | 1.69 |
| 3/4" FNPT | 2.13 | 4.06 | 3.38 | 2.75 | 2.75 | 2.13 | 1.94 |
| 3/4" Tube | 2.75 | 4.06 | 3.38 | 2.75 | 2.75 | 2.13 | 1.94 |
| 3/4" Flare | 3.38 | 4.06 | 3.38 | 2.75 | 2.75 | 2.13 | 1.94 |
| 1" FNPT | 2.13 | 4.06 | 3.38 | 2.75 | 2.75 | 2.13 | 1.94 |
| 1" Tube | 3.12 | 4.06 | 3.38 | 2.75 | 2.75 | 2.13 | 1.94 |
| 1" Flare | 3.62 | 4.06 | 3.38 | 2.75 | 2.75 | 2.13 | 1.94 |

Product Notes:

1. Please email Customer Service at info@pkm-konrad.ch
2. Call us for special applications. We can manufacture our Valves with special mounting and interface dimensions.
3. Upon request, alternate material selection from those listed will allow for expanding temperature ratings or other performance characteristics.
4. Unauthorized disassembly of this product will void the original factory one-year product warranty. For further details please contact us directly.

200304